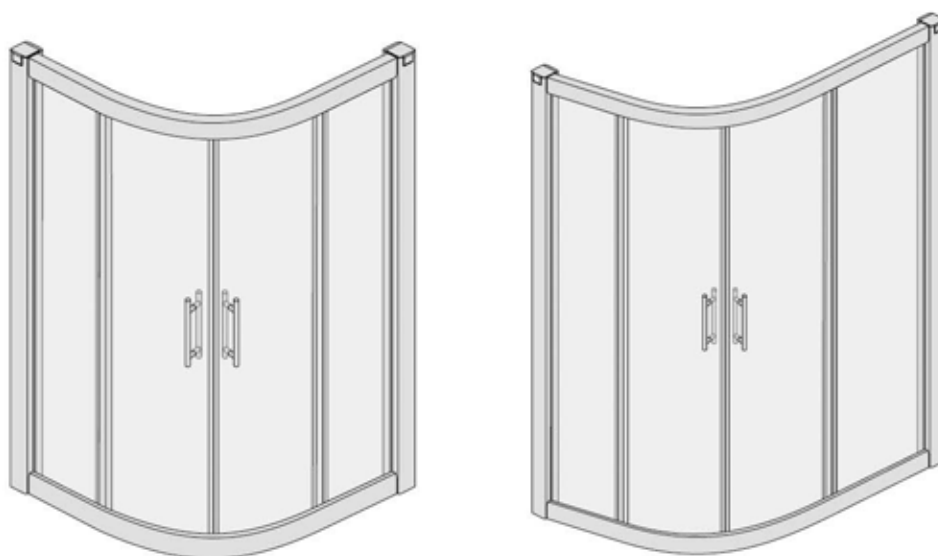


Geo-6

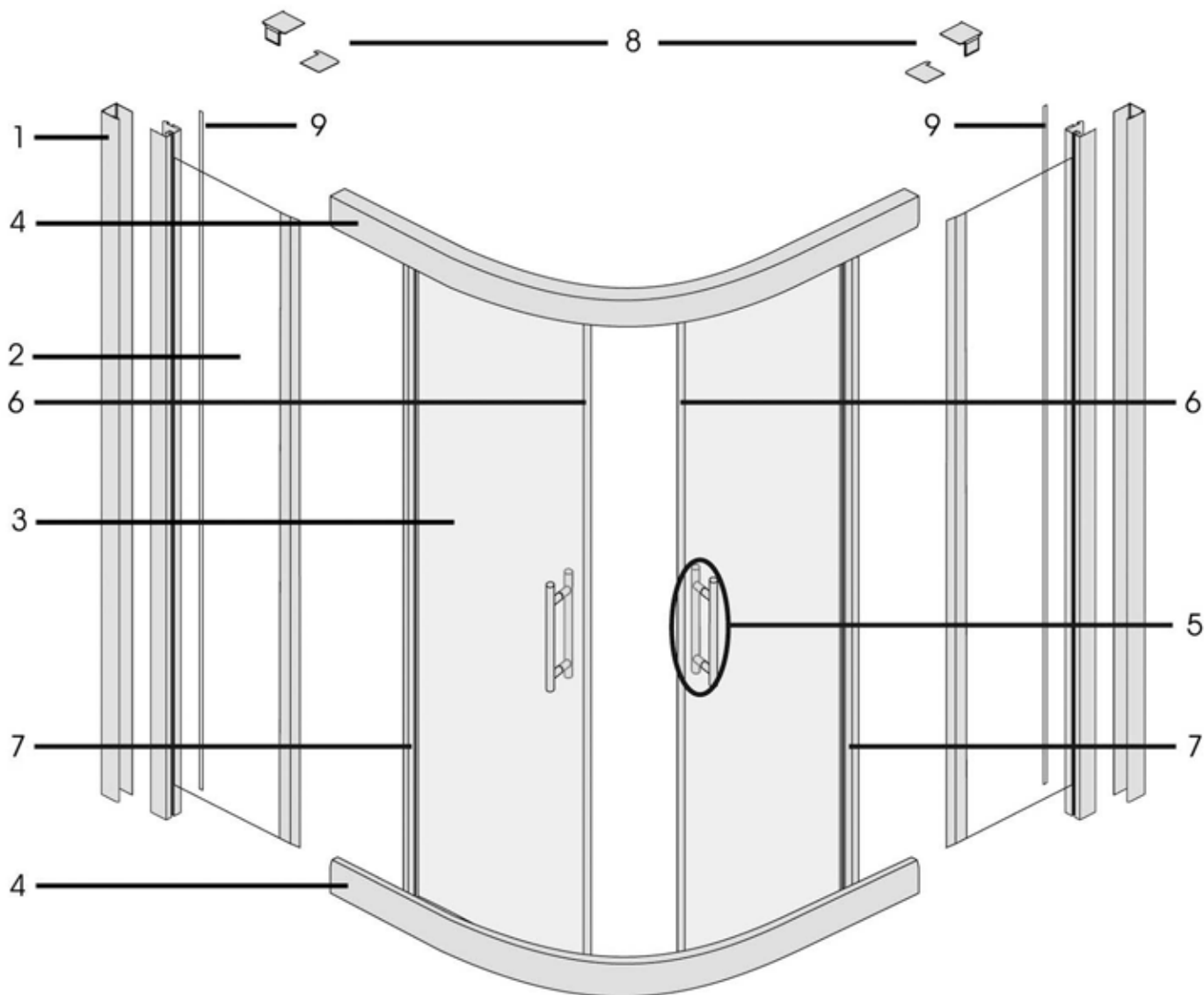


Equal & Offset
Quadrant Screen

Twyford
bathrooms

IMPORTANT

Please read carefully the following instructions before installing your shower enclosure to ensure safe and proper use and avoid any injury to either the installer or user. Failure to comply may invalidate your guarantee.

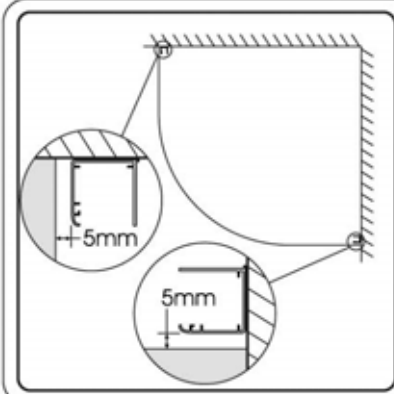


Quadrant and Offset Quadrant Components list		
Part No:	Description	Qty
1	Wall Profile	2
2	Fixed Glazed panel and Deflector	2
3	Door	2
4	Top or Bottom Curved Rail	2
5	Handle	2
6	Magnetic Door Seal	2
7	Back Edge Door Deflector	2
8	2 piece cover caps	2
9	Screw cover strip	2

Fixings Pack	
Description	Qty
Allen key	2
Pan hd self tapping screw 10mm lng	12
Pan hd self tapping screw 30mm lng	16
Plastic wall plugs	8
Drill bit dia 3.2mm	1

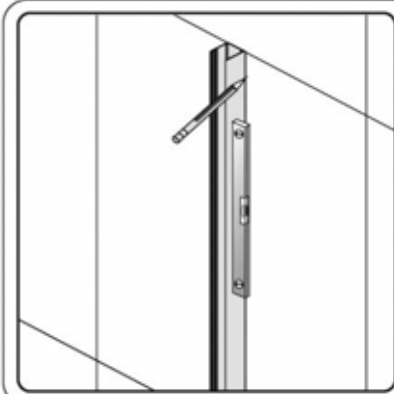
prior to installation:

Before installing the shower screen, install the shower tray as per the manufacturers instructions making sure that tray is level in all directions.



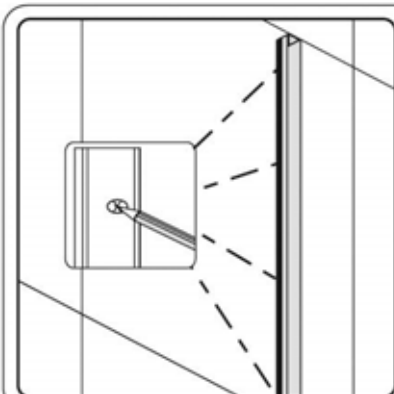
step 1.

Install wall profiles approx 5mm in from the edge of the tray or inside of up-stand



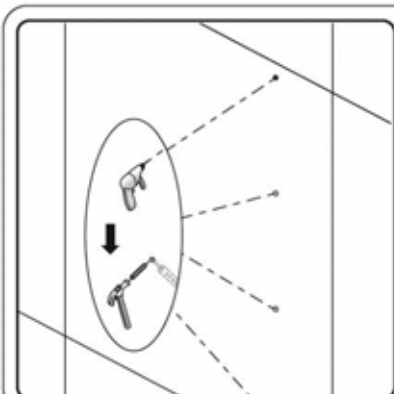
step 2.

Make sure wall profiles are upright using a spirit level.



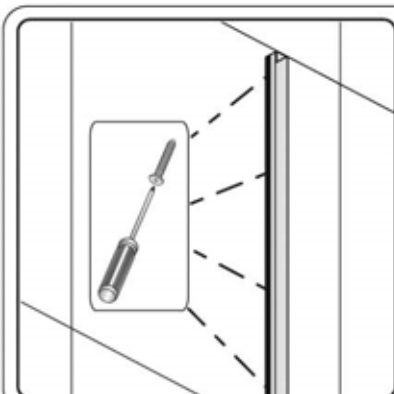
step 3.

Mark the position on the wall through the pre drilled holes with your pencil. Carefully move the wall profile away from the wall and put somewhere safely to avoid damage when you start drilling.



step 4.

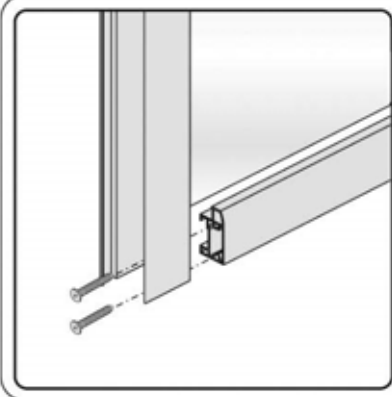
Drill holes where marked using the 6mm masonry drill bit. (You may need a specialized drill bit if you are drilling into tiles, if unsure please get advice). You can now install the wall plugs that have been provided.



step 5.

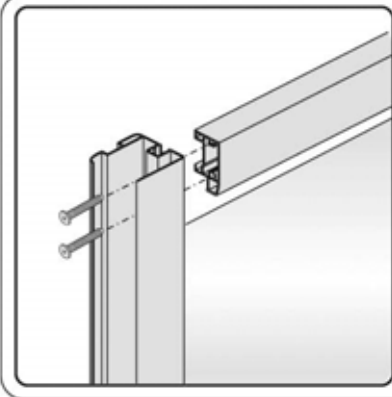
Screw the wall profile to the wall, using the 30mm screws, making sure you keep the profile vertical.

Repeat the above procedure for the Second profile. Make sure the distance from the edge of the tray is the same as the previous profile.



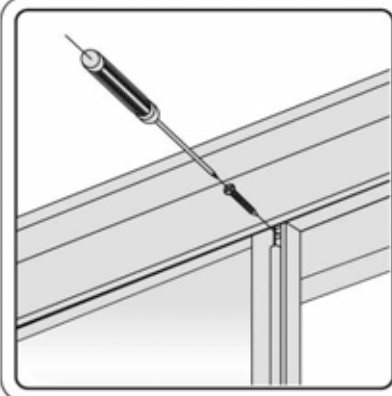
step 6.

Connect the bottom rail to the glazed vertical profile with the 30mm screws provided.



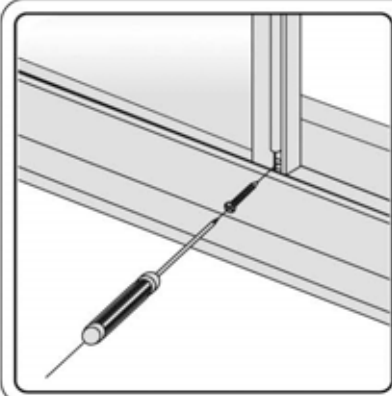
step 7.

Connect the top rail to the glazed vertical profile with the 30mm screws provided.



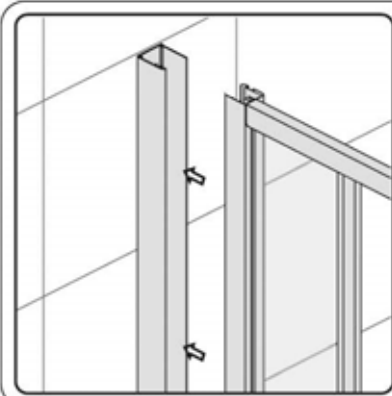
step 8.

Secure the two chromed inner glazing profiles to the top rail with the 10mm screws.



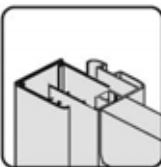
step 9.

and bottom rail, again with the 10mm screws.

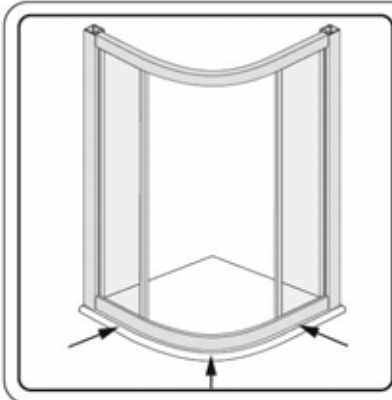


step 10.

Slide the vertical rails into and over the wall profile as shown.

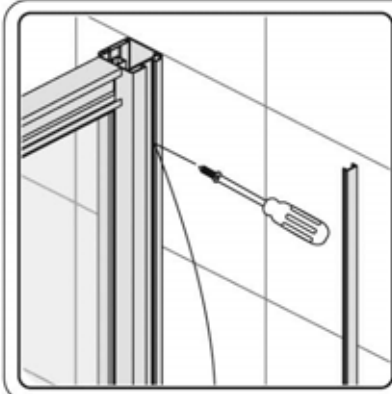


left profile shown here.



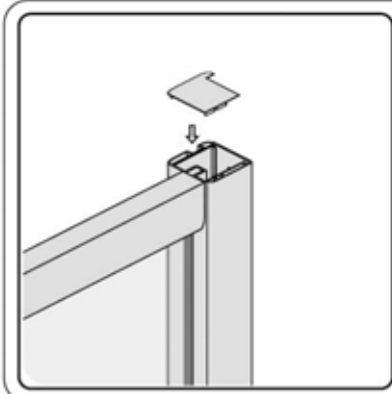
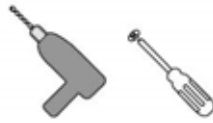
step 11.

Ensure bottom rail of screen is equally spaced around the perimeter of the tray.



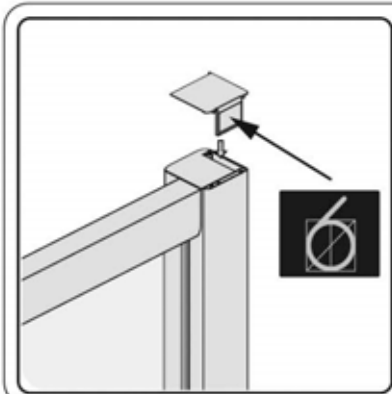
step 12.

Drill through the pre-drilled holes in the shower profile into the wall profile using a 3.2mm diameter drill. Secure together using the 10mm screws provided. Once tight install the screw cover strip.



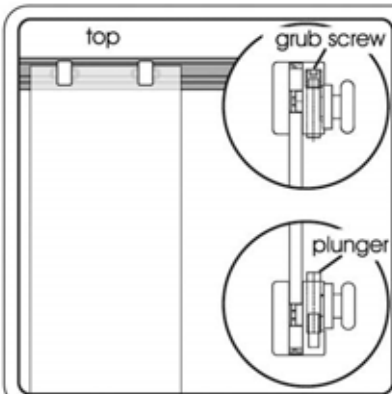
step 13.

Fit the profile cover caps as shown.



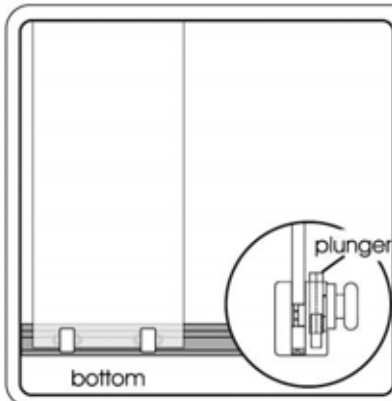
step 14.

Fit the profile cover caps as shown. Then apply the badges as indicated.



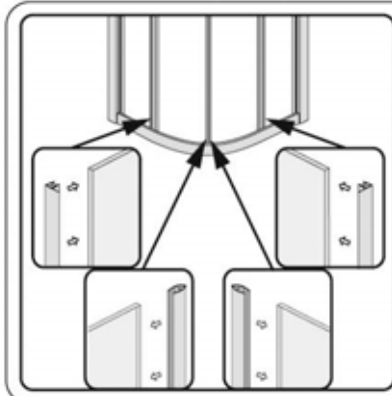
step 15.

Hang the doors by inserting the rollers into the guide channel. Ensure the rollers with an allen key adjustment are on the top. Leaving the rollers with spring loaded plungers at the bottom.



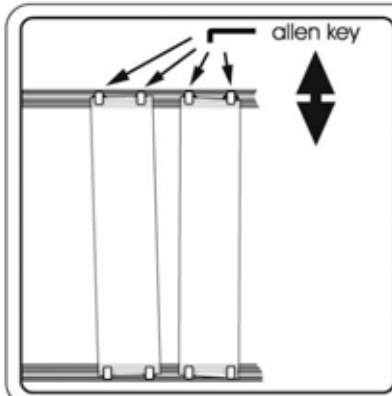
step 16.

To engage the bottom rollers push down the plungers and locate under the guiderail.



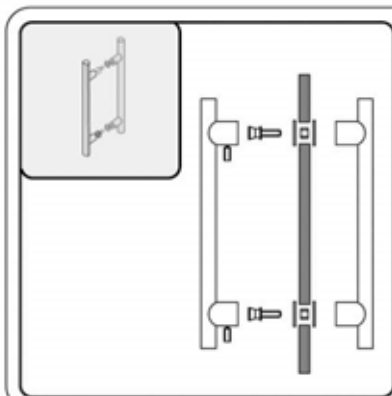
step 17.

Install the seals as per diagram ensuring the outer deflector strip points towards the fixed glass panel.



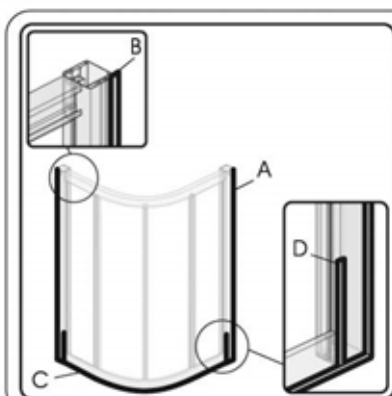
step 18.

Using an allen key, adjust the top rollers to obtain a flush door seal.



step 19.

Install handles as per diagram.



step 20.

Using good quality clear silicon sealant, seal the enclosure to the wall and tray along the following joints:

- A: Outside vertical enclosure-to-wall joint.
- B: Inside vertical enclosure-to-wall joint.
- C: Outside Perimeter enclosure-to-tray joint.
- D: 150mm high wall profile-to-enclosure joint.

Care Instructions

Shower enclosures should be cleaned after every use. To prevent limescale from building up, use a squeegee, a soft cloth or chamois leather - but no cleaning agent - to wipe off any water droplets left after showering. Residue left by bodycare products (liquid soap, shampoo, shower gel) can also cause substances to accumulate. Use water to rinse away residues after use. All sliding door track fittings should also be cleaned this way - to ensure that they continue to run smoothly.

- **Don't allow limescale to build up - especially in hard water areas**
- **If you do get a stubborn limescale build up, a mixture of 50:50 vinegar and water will help you to clean it away - but make sure all vinegar is rinsed off completely**
- **Never use strong detergents or cleaning agents**
- **Cleaning materials should wherever possible be rated between PH4 and PH8**
- **In no circumstances should you use any abrasive substances**

Registered office: Lawton Road, Alsager, Stoke-on-Trent, ST7 2DF, UK
T: +44(0) 1270 879777 F: +44(0) 1270 870087
E: shower.team@twyfordbathrooms.com

www.twyfordbathrooms.com

Part of the Sanitec Group